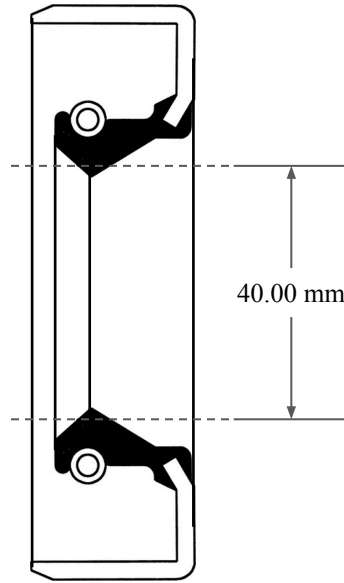
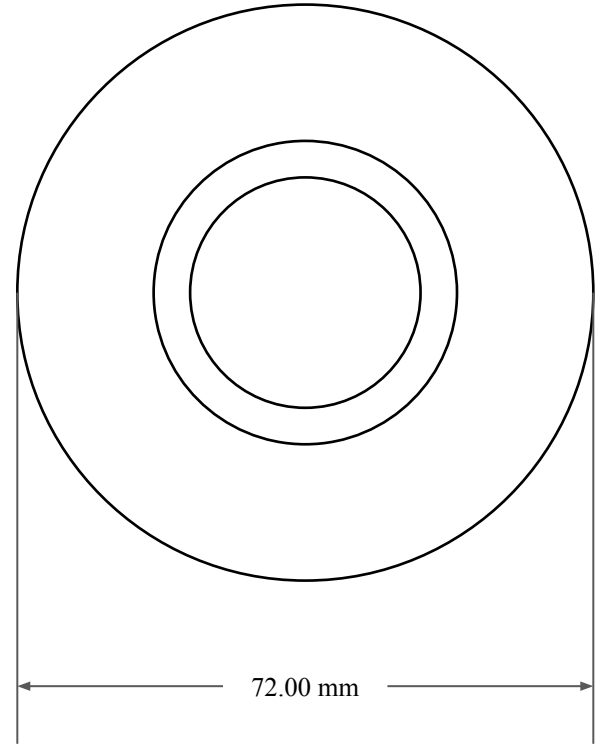





10.00
mm



40.00 mm



72.00 mm

 GLOBAL O-RING and SEAL ALL-AROUND BETTER	PART NUMBER MOS5830SB2
14450 John F. Kennedy Blvd. Houston, TX 77032	Metric Oil Seal - Nitrile Style SB2
www.globaloring.com	SGL LIP W/ SPR, MTL OD
Information in this drawing is provided for reference only	