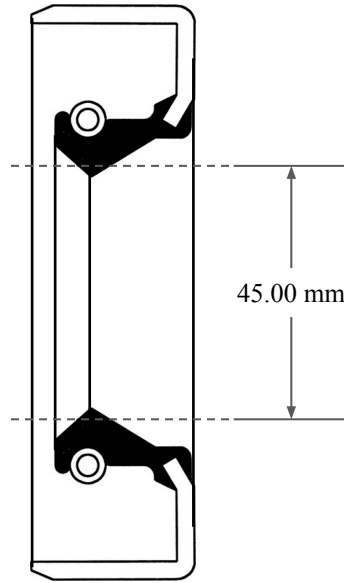
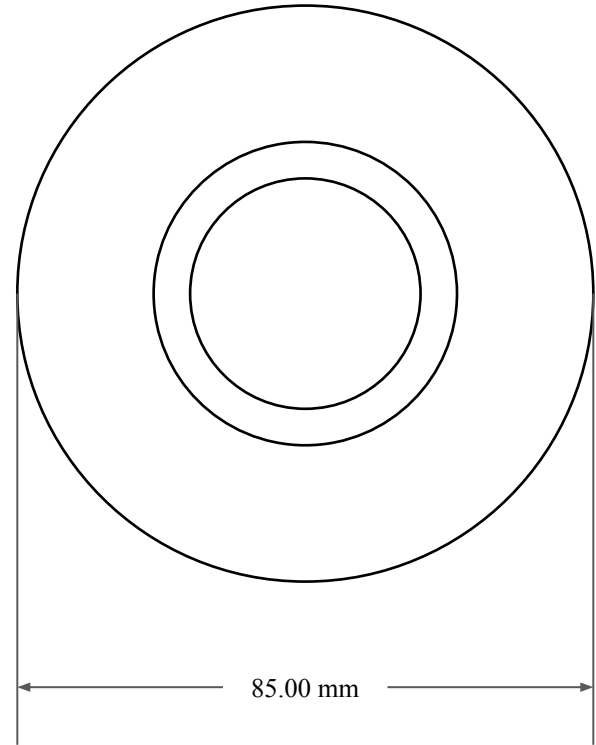




10.00  
mm



45.00 mm



85.00 mm



**GLOBAL O-RING**  
and SEAL  
ALL-AROUND BETTER

PART  
NUMBER

**MOS6775SB2**

14450 John F. Kennedy Blvd.  
Houston, TX 77032

[www.globaloring.com](http://www.globaloring.com)

Metric Oil Seal - Nitrile Style SB2  
SGL LIP W/ SPR, MTL OD

Information in this drawing is provided for reference only