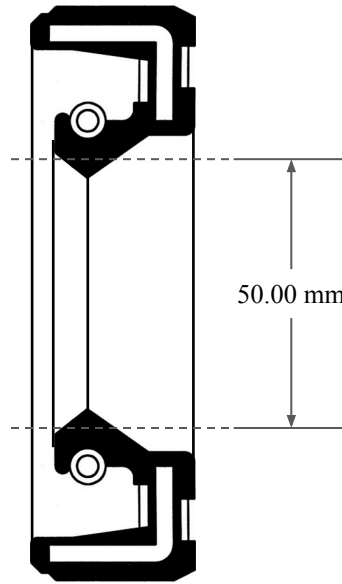
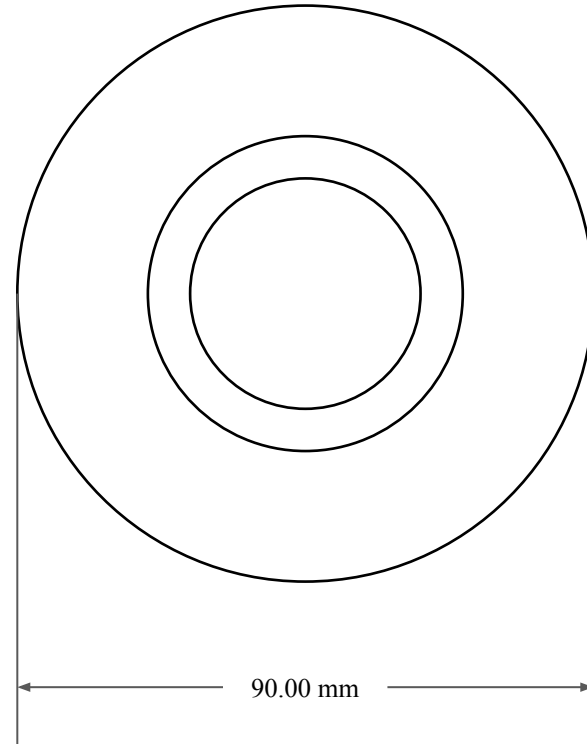





13.00  
mm



50.00 mm



90.00 mm

|   |  |
|---|--|
|  <b>GLOBAL O-RING</b><br>and SEAL<br>ALL-AROUND BETTER | PART NUMBER<br><b>MOS7511SC</b>                              |
| 14450 John F. Kennedy Blvd.<br>Houston, TX 77032  | Metric Oil Seal - Nitrile Style SC<br>SGL LIP W/ SPR, RBR OD |
| Information in this drawing is provided for reference only  |  |