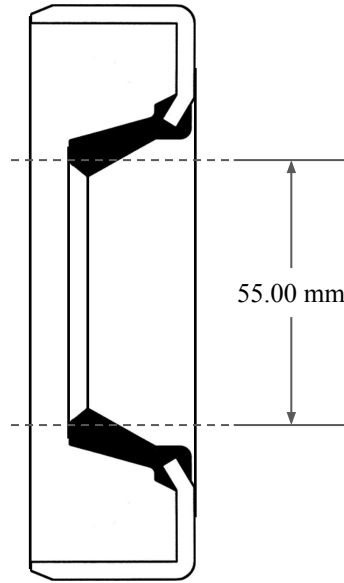
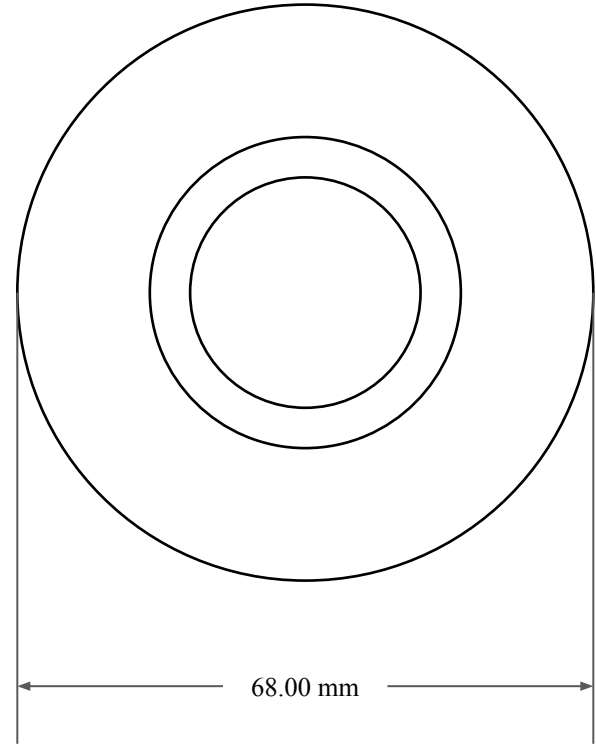





6.00 mm



55.00 mm



68.00 mm

 <p><b>GLOBAL O-RING and SEAL</b> ALL-AROUND BETTER</p>	PART NUMBER <b>MOS8095VB2</b>
14450 John F. Kennedy Blvd. Houston, TX 77032	www.globaloring.com
Information in this drawing is provided for reference only	
<b>Metric Oil Seal - Nitrile Style VB2 SGL LIP NO SPR, MTL OD</b>	