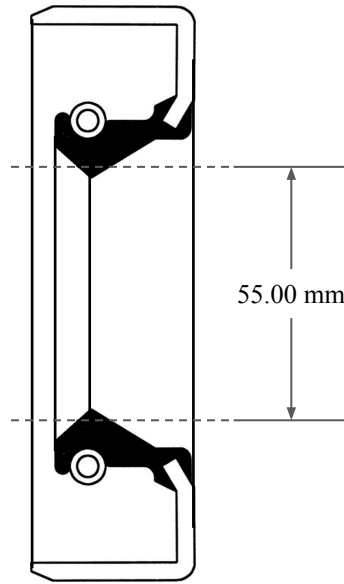
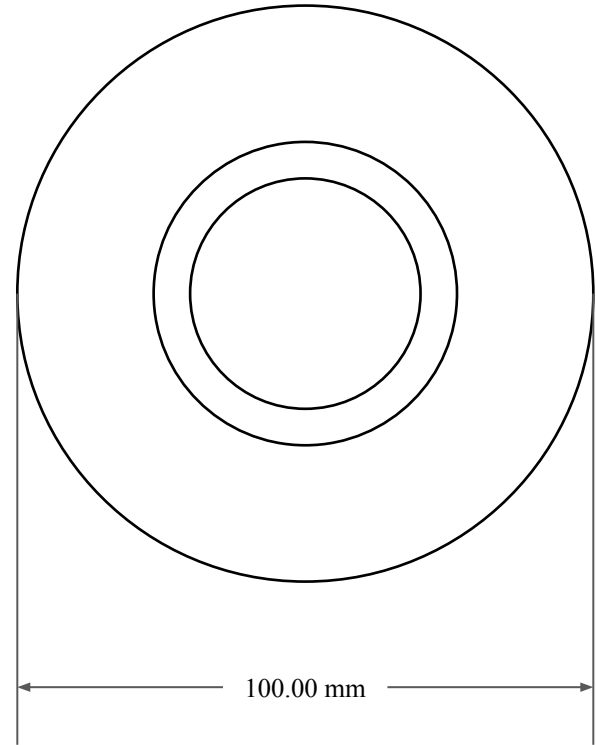





8.00 mm



55.00 mm



100.00 mm

 ALL-AROUND BETTER	PART NUMBER MOS8172SB2
14450 John F. Kennedy Blvd. Houston, TX 77032	Metric Oil Seal - Nitrile Style SB2 SGL LIP W/ SPR, MTL OD
Information in this drawing is provided for reference only	