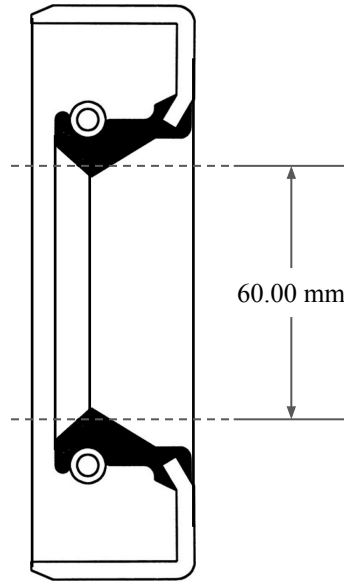
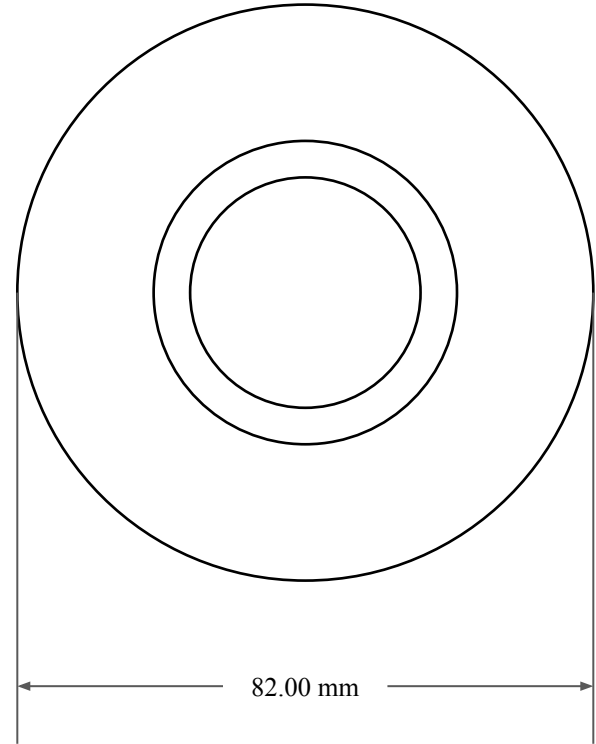





12.00
mm



60.00 mm



82.00 mm

| | |
|---|---|
|  GLOBAL O-RING and SEAL ALL-AROUND BETTER | PART NUMBER MOS8672SB2 |
| 14450 John F. Kennedy Blvd. Houston, TX 77032 | Metric Oil Seal - Nitrile Style SB2 SGL LIP W/ SPR, MTL OD |
| Information in this drawing is provided for reference only | |