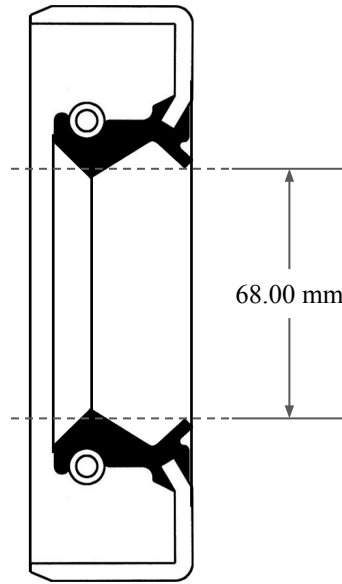
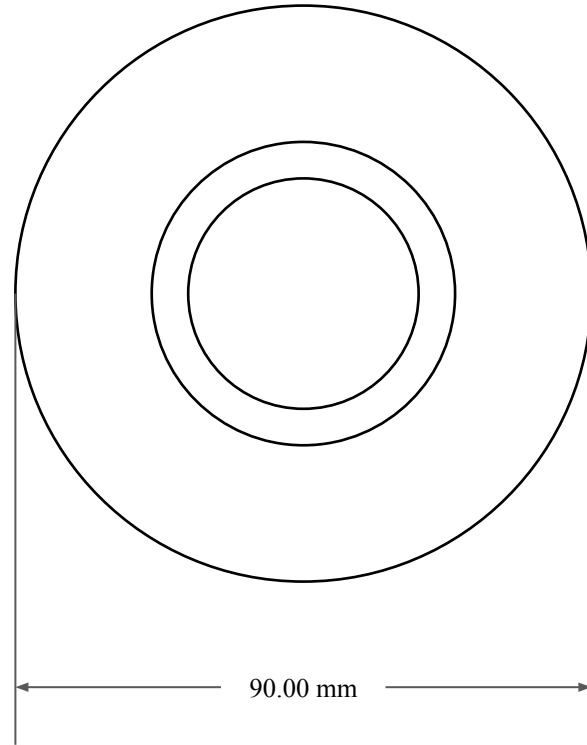





14.00 mm



68.00 mm



90.00 mm

| | |
|---|--|
|  GLOBAL O-RING and SEAL ALL-AROUND BETTER | PART NUMBER MOS9417TB2 |
| 14450 John F. Kennedy Blvd. Houston, TX 77032 www.globaloring.com | Metric Oil Seal - Nitrile Style TB2 DUAL LIP W/ SPR, MTL OD |
| Information in this drawing is provided for reference only | |