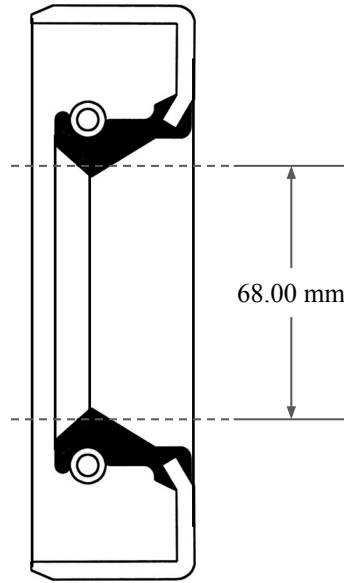
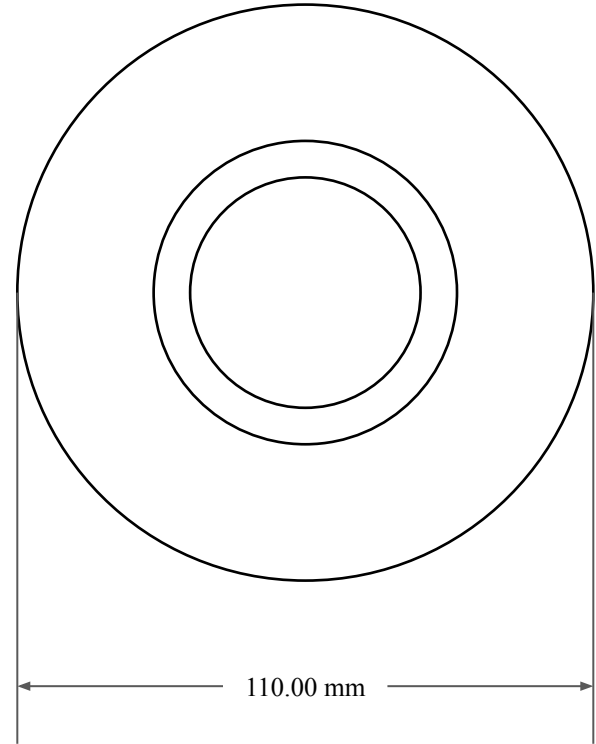




13.00
mm



68.00 mm



110.00 mm



14450 John F. Kennedy Blvd.
Houston, TX 77032

www.globaloring.com

Information in this drawing is provided for reference only

PART
NUMBER

MOS9434SB2

Metric Oil Seal - Nitrile Style SB2
SGL LIP W/ SPR, MTL OD