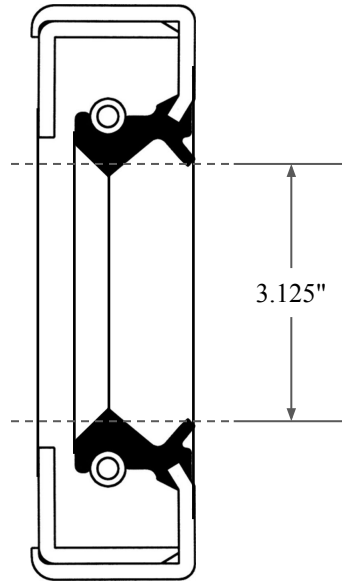
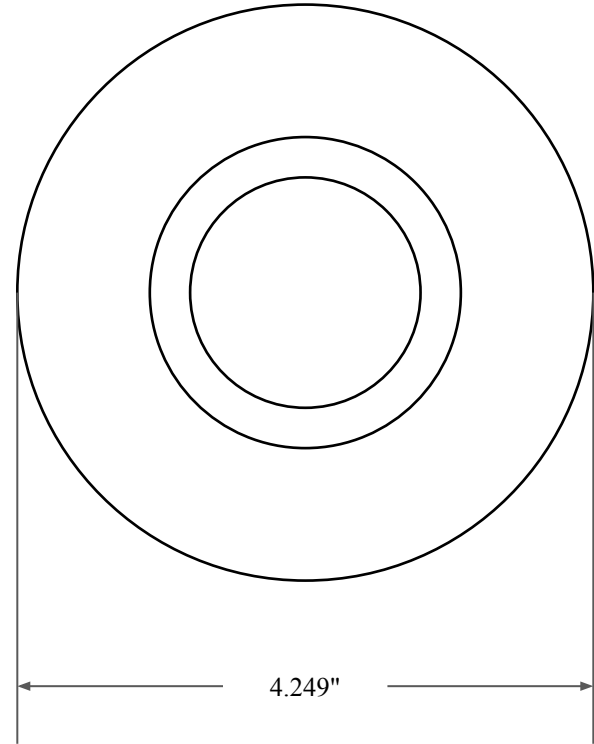





0.438"



3.125"



4.249"

 ALL-AROUND BETTER	PART NUMBER <b>OS10200TA2</b>
14450 John F. Kennedy Blvd. Houston, TX 77032	Inch Oil Seal - Nitrile Style 1A2 DUAL LIP W/ SPR, MTL OD W/ RFG
Information in this drawing is provided for reference only	

PLATE