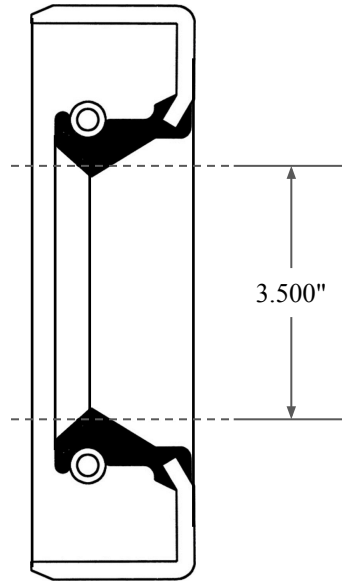
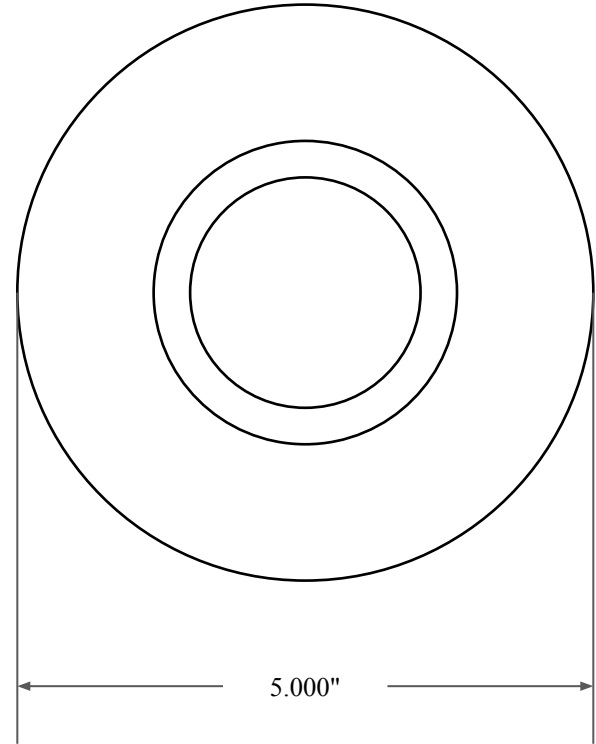




0.468"



3.500"



5.000"



14450 John F. Kennedy Blvd. www.globaloring.com
Houston, TX 77032

Information in this drawing is provided for reference only

PART NUMBER

OS10798SB2

Inch Oil Seal - Nitrile Style SB2
SGL LIP W/ SPR, MTL OD