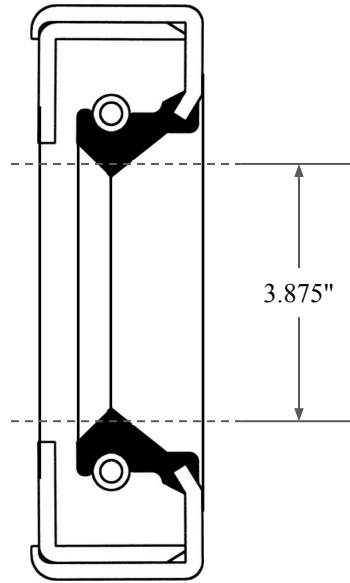
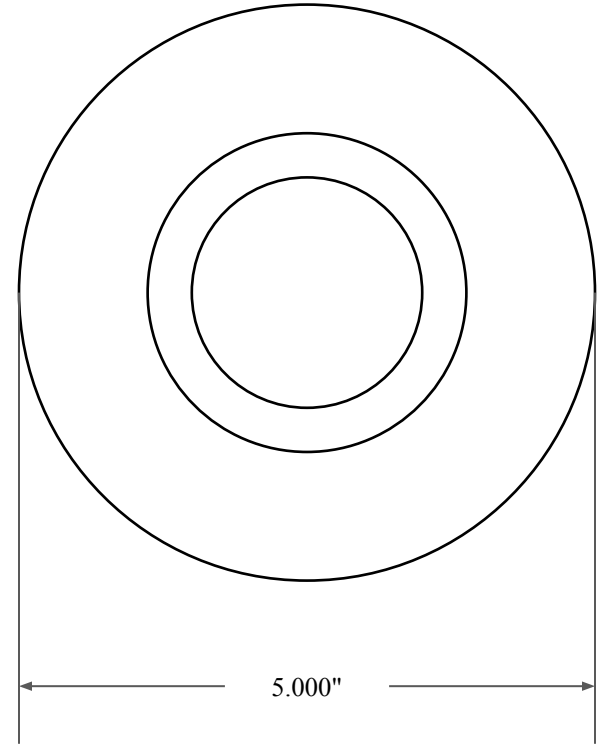





0.468"



3.875"



5.000"

 GLOBAL O-RING and SEAL ALL-AROUND BETTER	PART NUMBER OS11231SA2
14450 John F. Kennedy Blvd. Houston, TX 77032	www.globaloring.com
Information in this drawing is provided for reference only	

Inch Oil Seal - Nitrile Style SA2
SGL LIP W/ SPR, MTL OD W/ RFG
PLATE