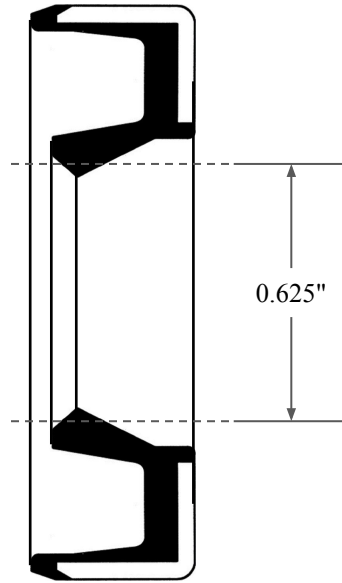
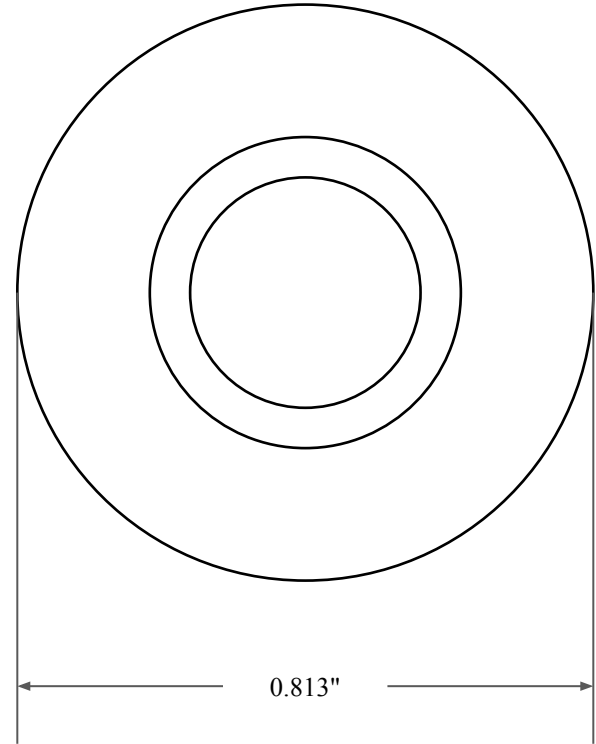



0.094"



0.625"



0.813"

 <b>GLOBAL O-RING</b> and SEAL ALL-AROUND BETTER	PART NUMBER <b>OS1164VBR</b>
14450 John F. Kennedy Blvd. Houston, TX 77032	www.globaloring.com
Information in this drawing is provided for reference only	

Inch Oil Seal - Nitrile Style VBR  
SGL LIP NO SPR, MTL OD, RBR ID,  
RBR NOSE