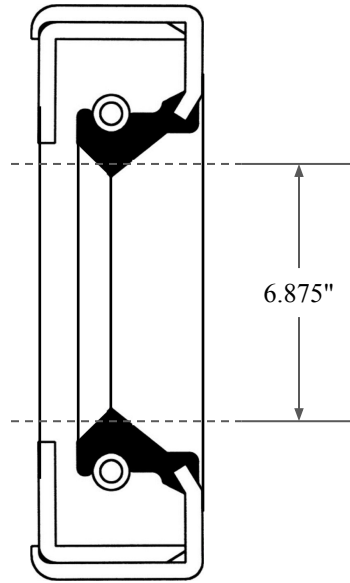
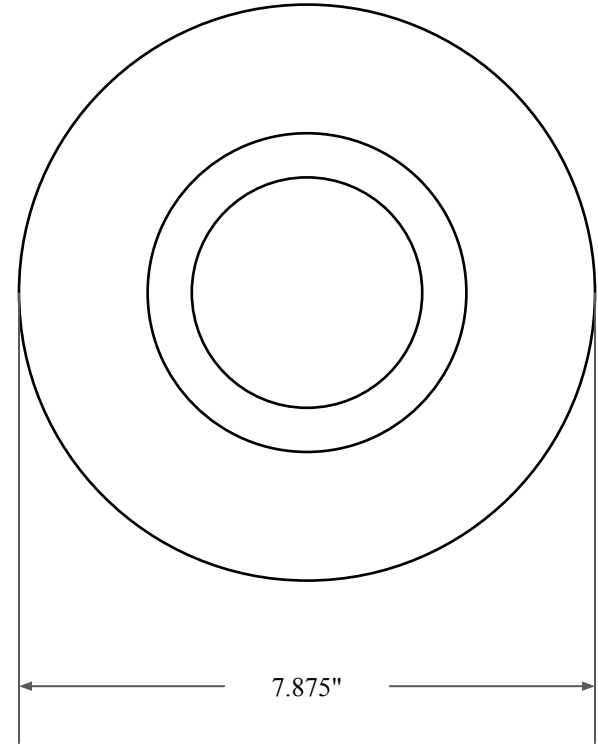





0.625"



6.875"



7.875"

| | |
|---------------------------------------------------------------------------------------------------------------------------------------------|-----------------------------------------------------------------------------|
|  GLOBAL O-RING and SEAL ALL-AROUND BETTER | PART NUMBER OS13090SA2 |
| 14450 John F. Kennedy Blvd. Houston, TX 77032 www.globaloring.com | Inch Oil Seal - Nitrile Style SA2 SGL LIP W/ SPR, MTL OD W/ RFG PLATE |
| Information in this drawing is provided for reference only | |