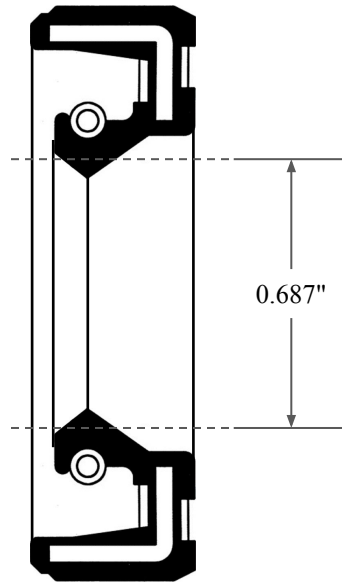
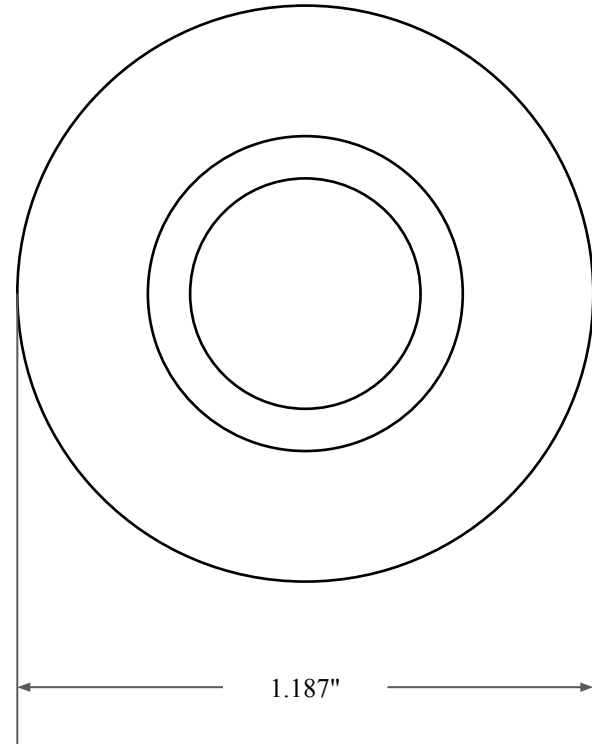



0.250"



0.687"



1.187"

| | |
|---|--------------------------------|
|  GLOBAL O-RING and SEAL ALL-AROUND BETTER | PART NUMBER OS1510SC |
| 14450 John F. Kennedy Blvd. Houston, TX 77032 | www.globaloring.com |
| Information in this drawing is provided for reference only | |

Inch Oil Seal - Nitrile Style SC
SGL LIP W/ SPR, RBR OD