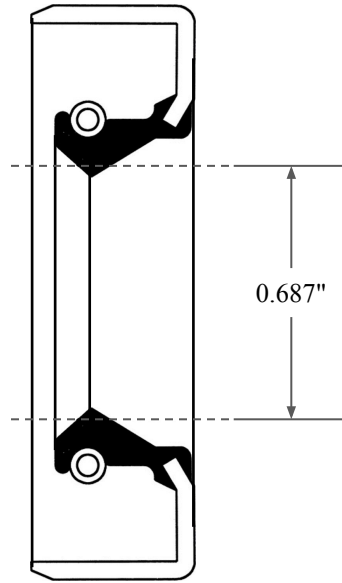
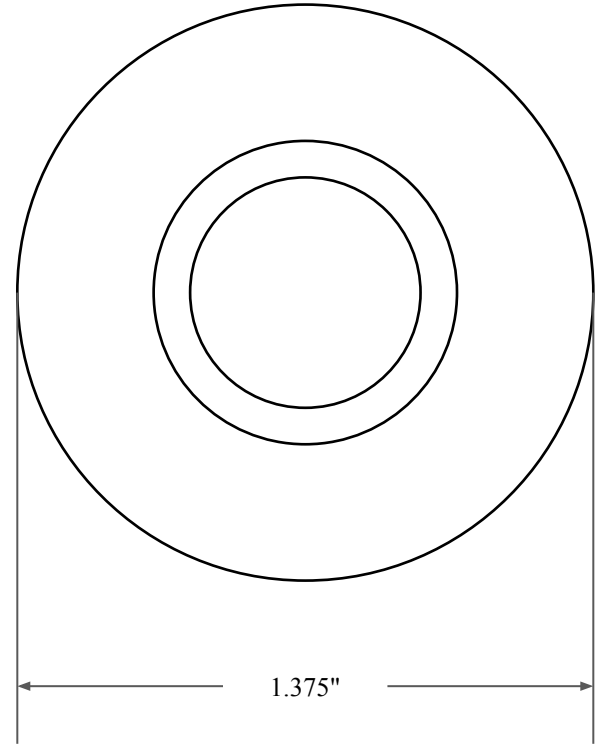





0.312"



0.687"



1.375"

 ALL-AROUND BETTER	PART NUMBER <b>OS1516SB2</b>
14450 John F. Kennedy Blvd. Houston, TX 77032	www.globaloring.com
Information in this drawing is provided for reference only	

Inch Oil Seal - Nitrile Style SB2  
SGL LIP W/ SPR, MTL OD