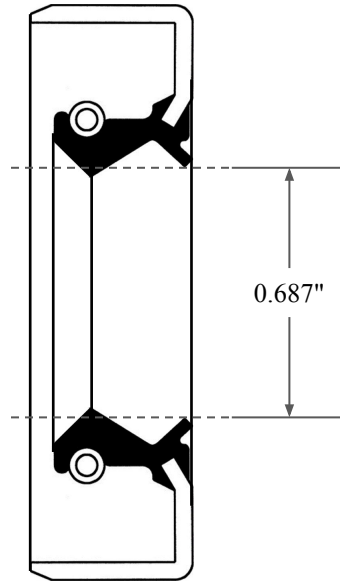
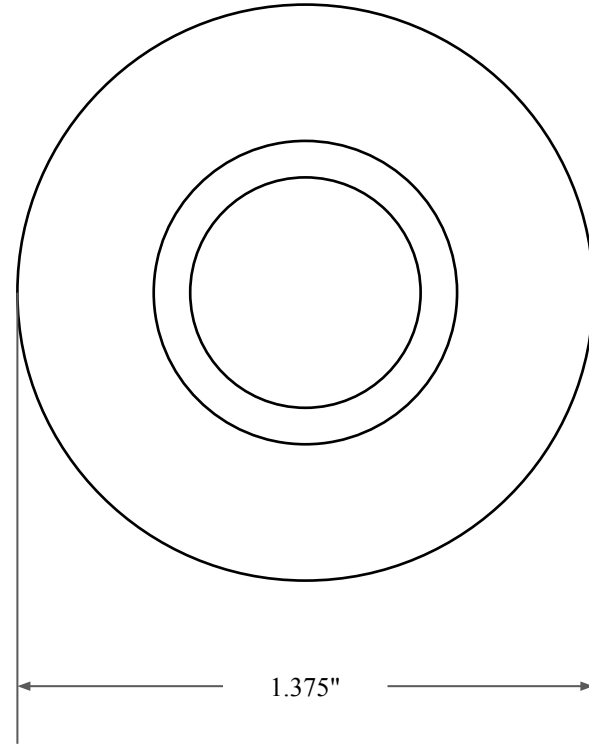





0.406"



0.687"



1.375"

 GLOBAL O-RING and SEAL ALL-AROUND BETTER	PART NUMBER OS1517TB2
14450 John F. Kennedy Blvd. Houston, TX 77032	www.globaloring.com
Information in this drawing is provided for reference only	

Inch Oil Seal - Nitrile Style TB2
DUAL LIP W/ SPR, MTL OD