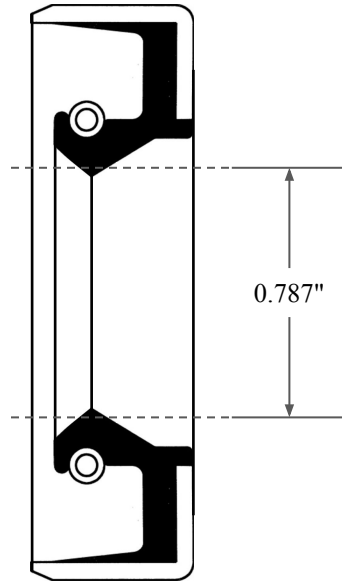
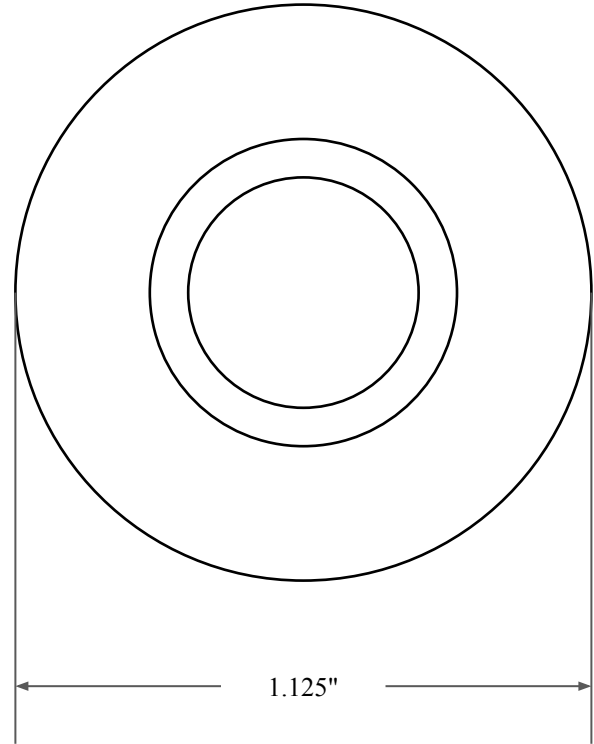



0.187"



0.787"



1.125"

 ALL-AROUND BETTER	PART NUMBER <b>OS1902SB</b>
14450 John F. Kennedy Blvd. Houston, TX 77032	www.globaloring.com
Information in this drawing is provided for reference only	

Inch Oil Seal - Nitrile Style SB  
SGL LIP W/ SPR, MTL OD, RBR ID