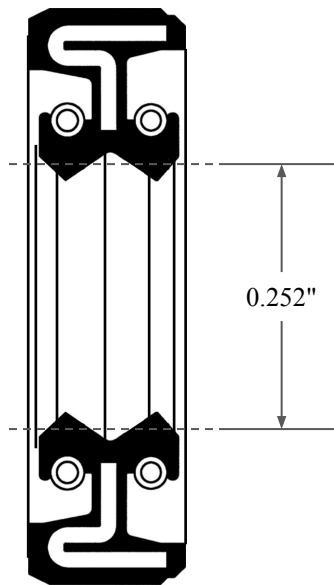
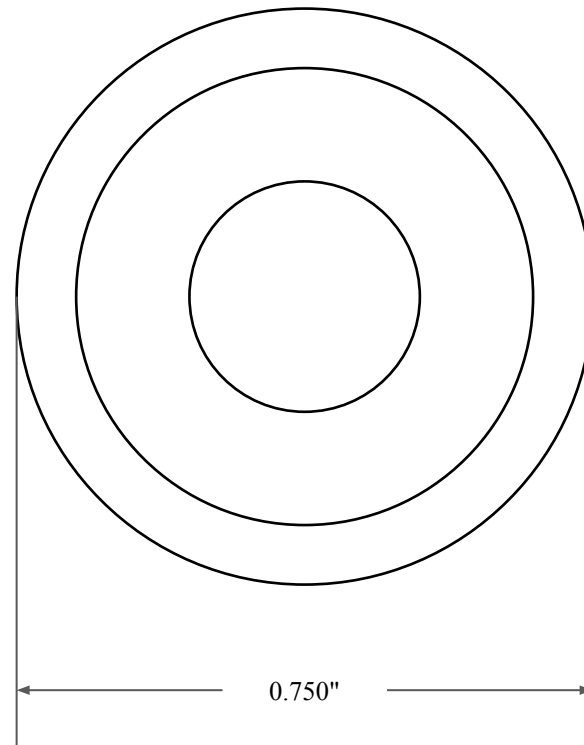





0.374"



0.252"



0.750"

| | |
|---|--|
|  GLOBAL O-RING and SEAL ALL-AROUND BETTER | PART NUMBER OS20099DC |
| 14450 John F. Kennedy Blvd. Houston, TX 77032 www.globaloring.com | Inch Oil Seal - Nitrile Style DC DBL LIP W/ SPR, RBR OD |
| Information in this drawing is provided for reference only | |