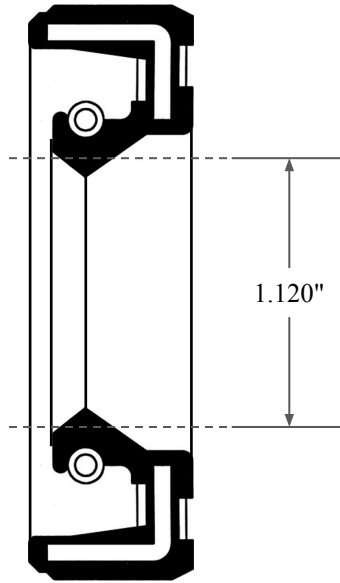
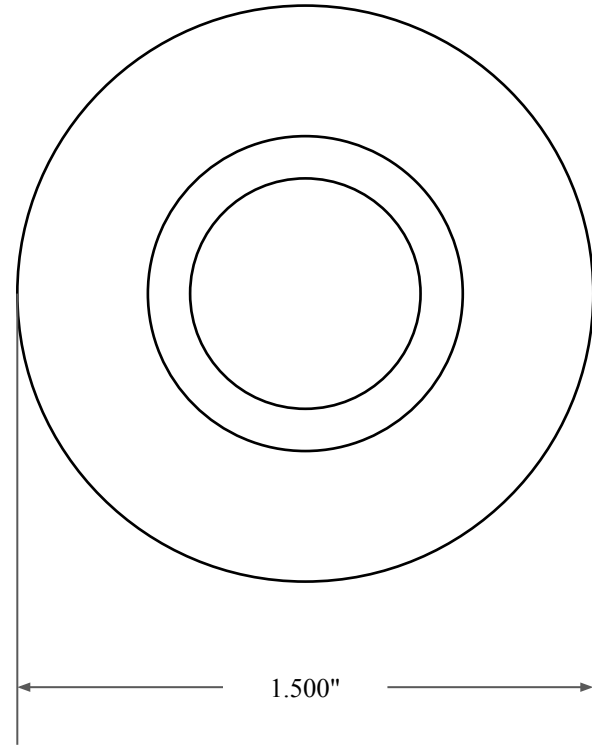





0.250"



1.120"



1.500"

 GLOBAL O-RING and SEAL ALL-AROUND BETTER	PART NUMBER OS22217SC
14450 John F. Kennedy Blvd. Houston, TX 77032 www.globaloring.com	Inch Oil Seal - Nitrile Style SC SGL LIP W/ SPR, RBR OD
Information in this drawing is provided for reference only	