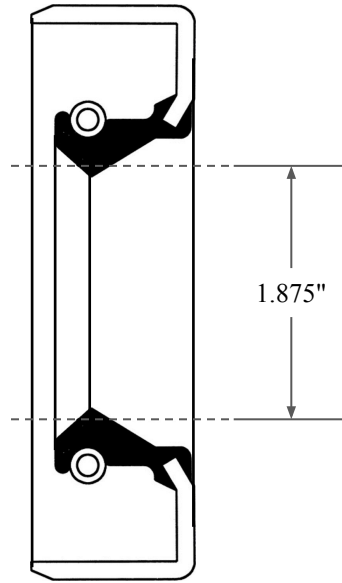
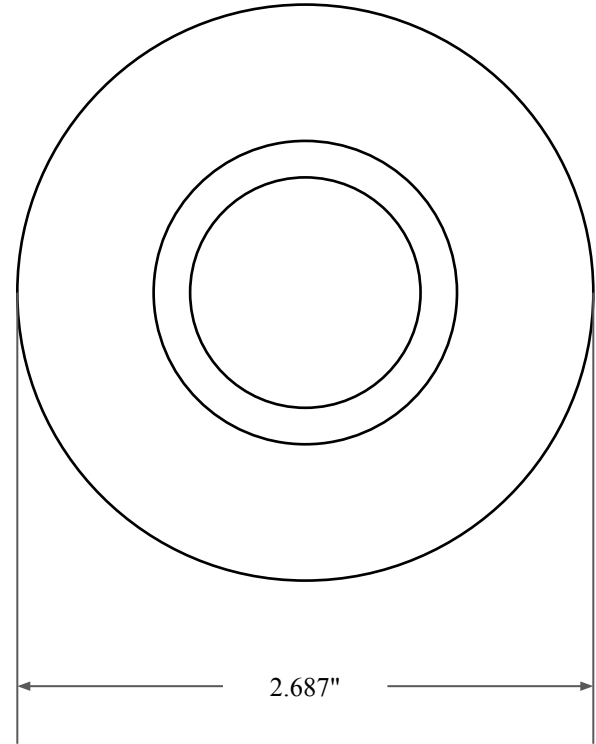




0.375"



1.875"



2.687"



14450 John F. Kennedy Blvd.
Houston, TX 77032

www.globaloring.com

Information in this drawing is provided for reference only

PART
NUMBER

OS22405SB2

Inch Oil Seal - Nitrile Style SB2
SGL LIP W/ SPR, MTL OD