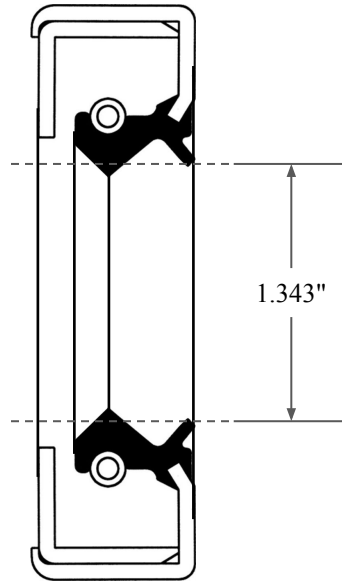
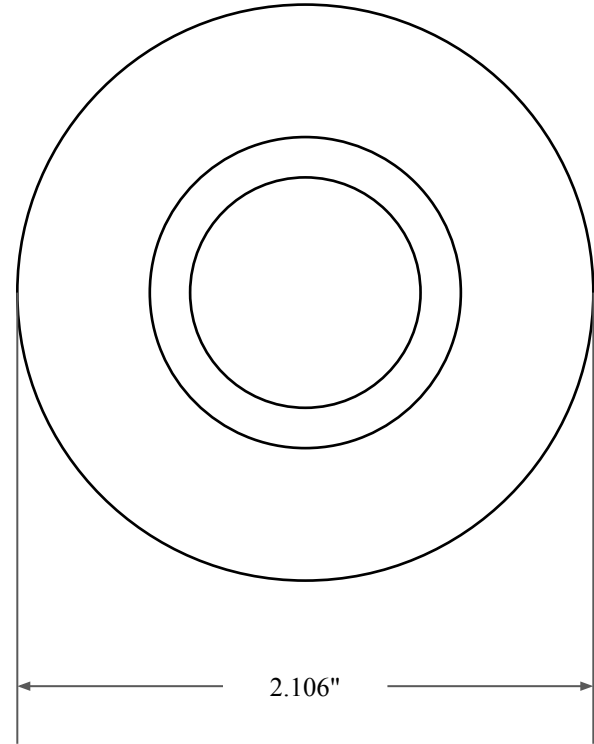





0.312"



1.343"



2.106"

| | |
|--|---|
|  ALL-AROUND BETTER | PART NUMBER OS4536TA2 |
| 14450 John F. Kennedy Blvd. Houston, TX 77032 | Inch Oil Seal - Nitrile Style 1A2 DUAL LIP W/ SPR, MTL OD W/ RFG |
| Information in this drawing is provided for reference only | |

PLATE