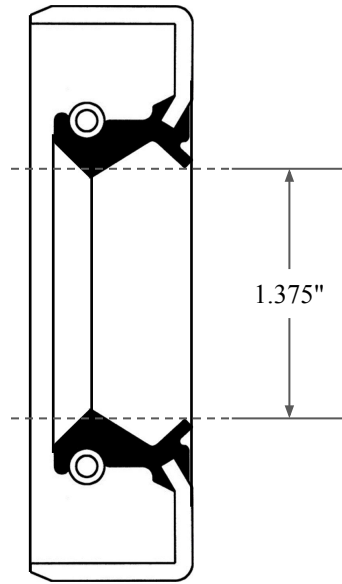
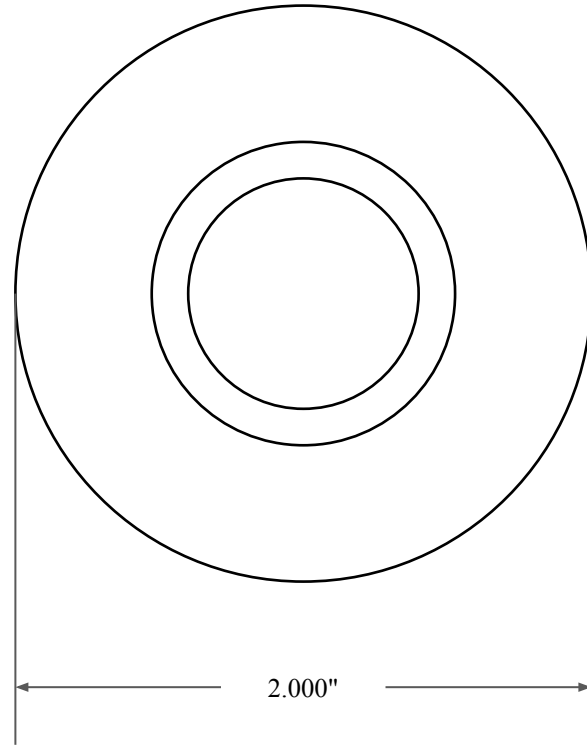





0.312"



1.375"



2.000"

|   |  |
|---|--|
|  <b>GLOBAL O-RING</b><br>and SEAL<br>ALL-AROUND BETTER | PART<br>NUMBER<br><b>OS4635TB2</b>   |
| 14450 John F. Kennedy Blvd.<br>Houston, TX 77032<br><a href="http://www.globaloring.com">www.globaloring.com</a>                            | <b>Inch Oil Seal - Nitrile Style TB2</b><br><b>DUAL LIP W/ SPR, MTL OD</b> |
| Information in this drawing is provided for reference only  |  |