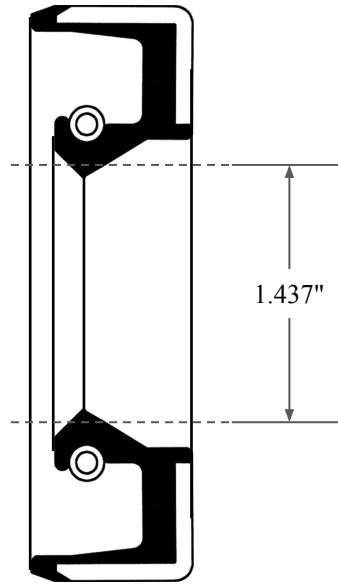
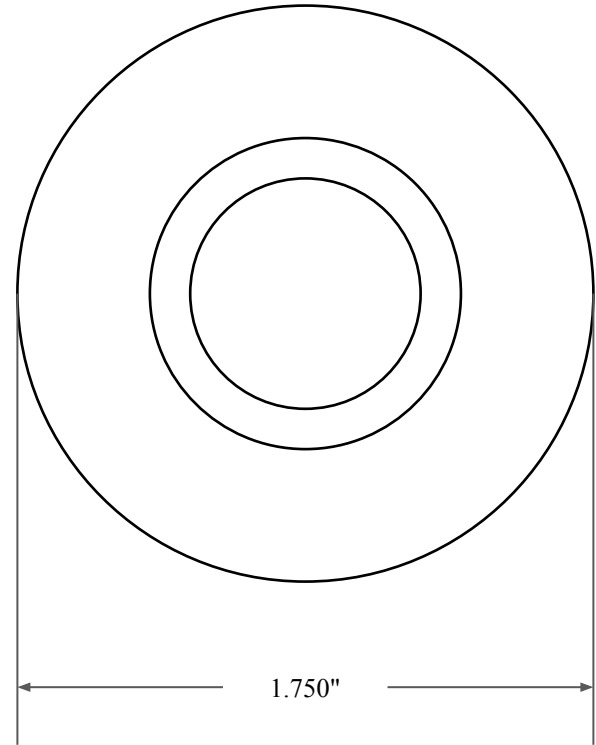





0.194"



1.437"



1.750"

 <b>GLOBAL O-RING</b> and SEAL ALL-AROUND BETTER	PART NUMBER <b>OS5049SBR</b>
14450 John F. Kennedy Blvd. Houston, TX 77032 <a href="http://www.globaloring.com">www.globaloring.com</a>	Inch Oil Seal - Nitrile Style SBR SGL LIP W/ SPR, MTL OD, RBR ID, RBR NOSE
Information in this drawing is provided for reference only	