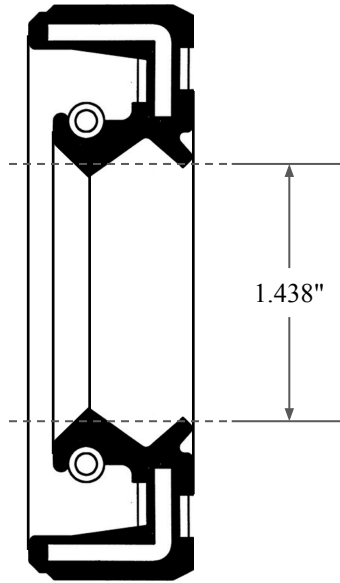
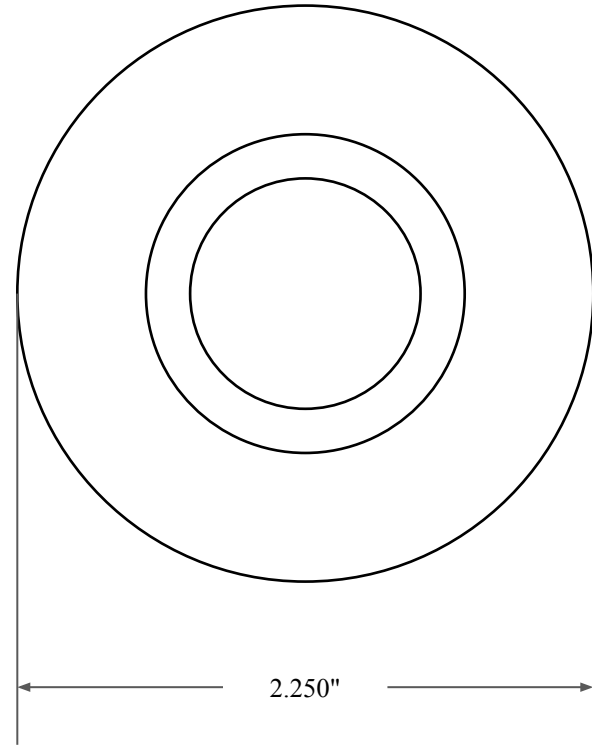





0.313"



1.438"



2.250"

| | |
|---|---|
|  GLOBAL O-RING and SEAL ALL-AROUND BETTER | PART NUMBER OS5100TC |
| 14450 John F. Kennedy Blvd. Houston, TX 77032 www.globaloring.com | Inch Oil Seal - Nitrile Style TC DUAL LIP W/ SPR, RBR OD |
| Information in this drawing is provided for reference only | |