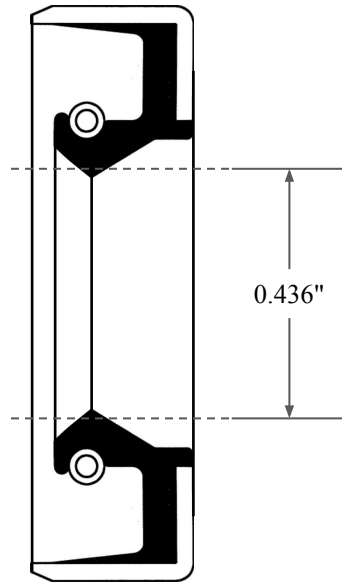
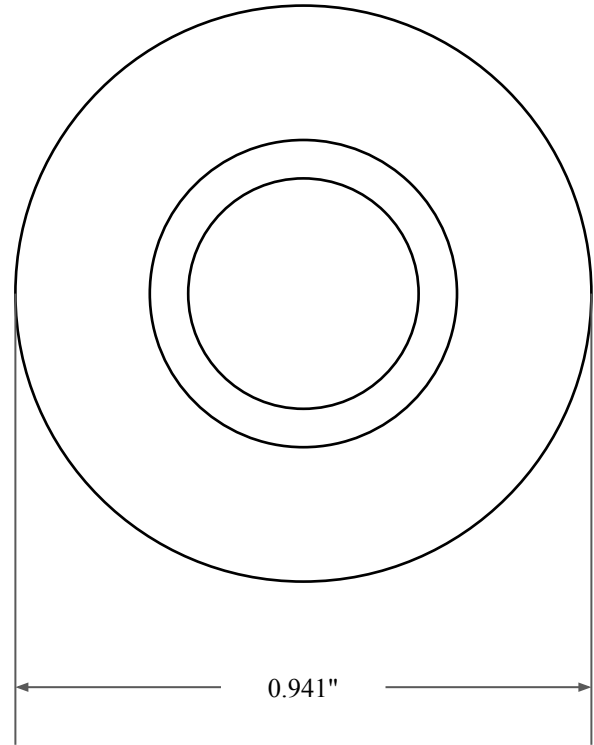





0.200"



0.436"



0.941"

 GLOBAL O-RING and SEAL ALL-AROUND BETTER	PART NUMBER OS517SB
14450 John F. Kennedy Blvd. Houston, TX 77032	www.globaloring.com
Information in this drawing is provided for reference only	

Inch Oil Seal - Nitrile Style SB
SGL LIP W/ SPR, MTL OD, RBR ID