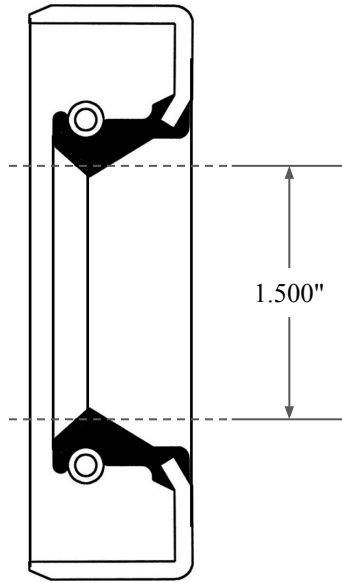
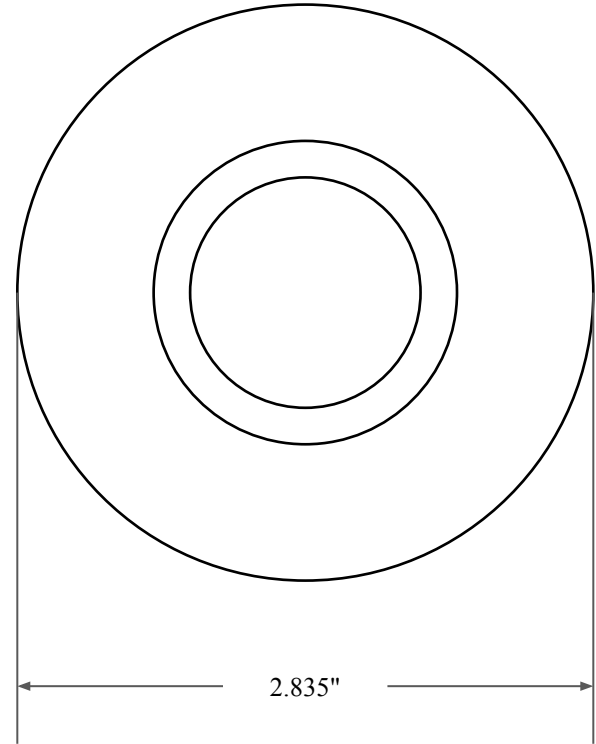





0.312"



1.500"



2.835"

| | |
|---|---|
|  GLOBAL O-RING and SEAL ALL-AROUND BETTER | PART NUMBER OS5480SB2 |
| 14450 John F. Kennedy Blvd. Houston, TX 77032 www.globaloring.com | Inch Oil Seal - Nitrile Style SB2 SGL LIP W/ SPR, MTL OD |
| Information in this drawing is provided for reference only | |