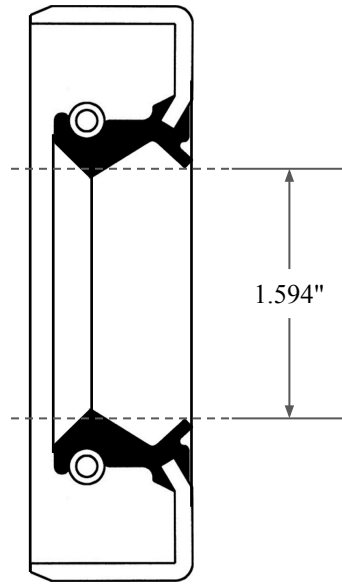
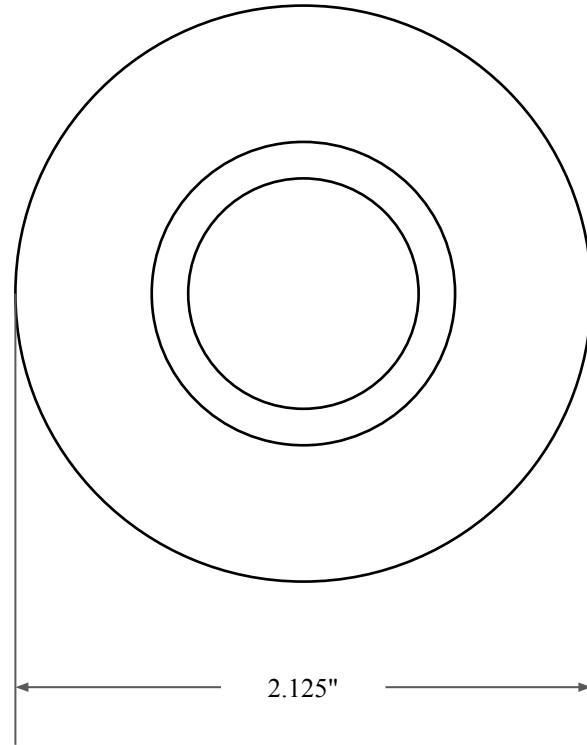





0.281"



1.594"



2.125"

 ALL-AROUND BETTER	PART NUMBER <b>OS5879TB2</b>
14450 John F. Kennedy Blvd. Houston, TX 77032	www.globaloring.com
Information in this drawing is provided for reference only	

Inch Oil Seal - Nitrile Style TB2  
DUAL LIP W/ SPR, MTL OD