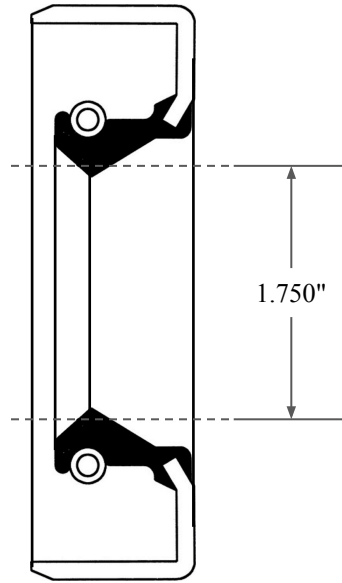
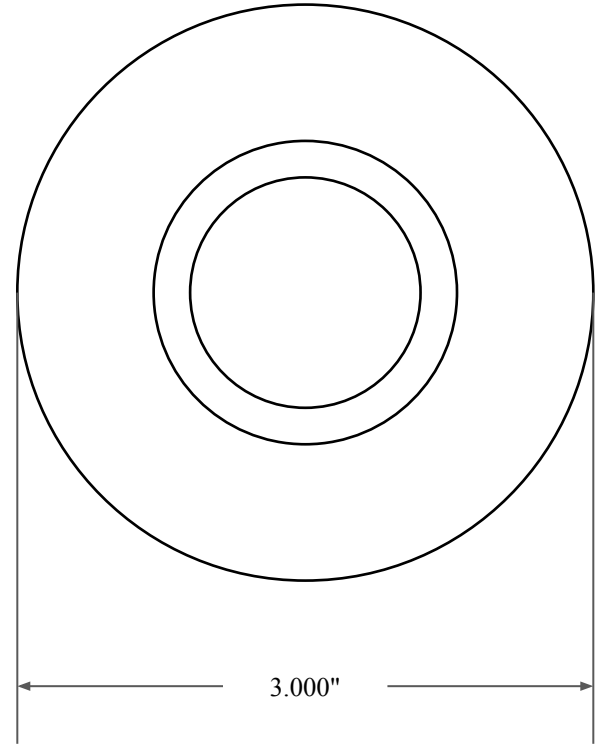





0.500"



1.750"



3.000"

| | |
|---|---------------------------------|
|  GLOBAL O-RING and SEAL ALL-AROUND BETTER | PART NUMBER OS6580SB2 |
| 14450 John F. Kennedy Blvd. Houston, TX 77032 | www.globaloring.com |
| Information in this drawing is provided for reference only | |

Inch Oil Seal - Nitrile Style SB2
SGL LIP W/ SPR, MTL OD