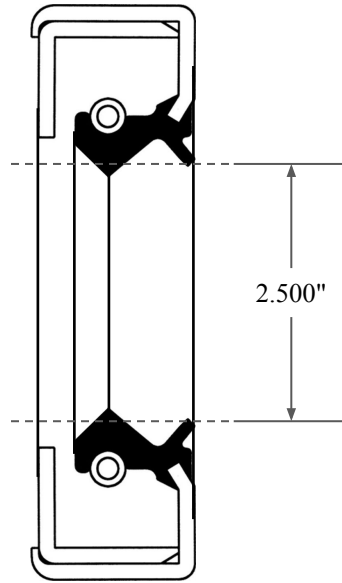
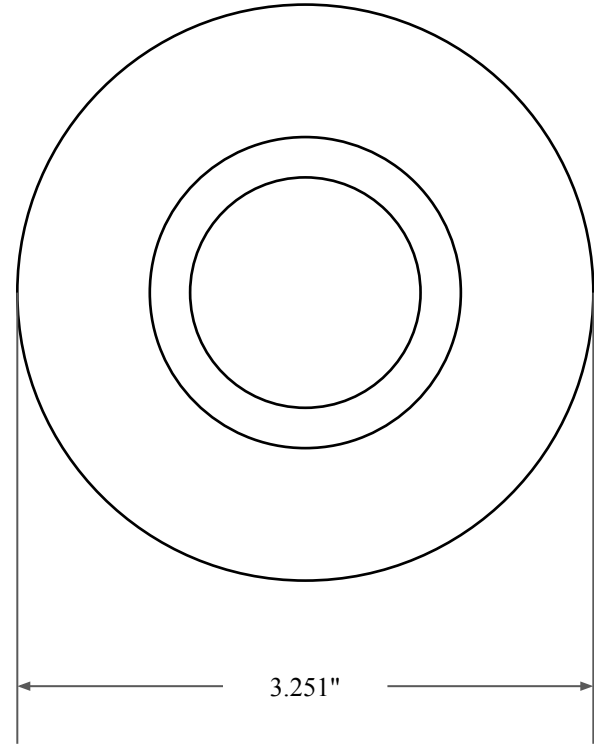





0.500"



2.500"



3.251"

 <p><b>GLOBAL O-RING</b> and SEAL ALL-AROUND BETTER</p>	PART NUMBER <b>OS9016TA2</b>
14450 John F. Kennedy Blvd. Houston, TX 77032	Inch Oil Seal - Nitrile Style 1A2 DUAL LIP W/ SPR, MTL OD W/ RFG
Information in this drawing is provided for reference only	

PLATE